

SYC 55

BALL VALVE F/F

BASIC FEATURES



Ball valve F/F

Brass body and ball

Maximum working pressure : PN 25

Working temperature : -10°C to 90°C

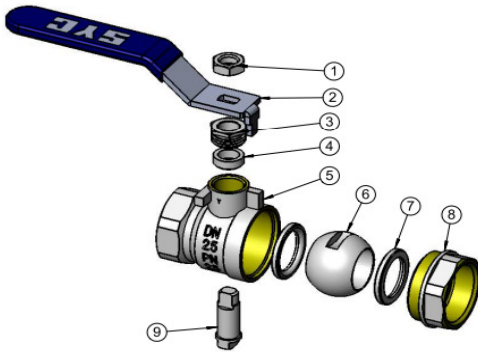
Female thread ends according to EN-ISO 228-1

Packing gland in the stem with PTFE gasket

Steel chromed handel with blue plastic

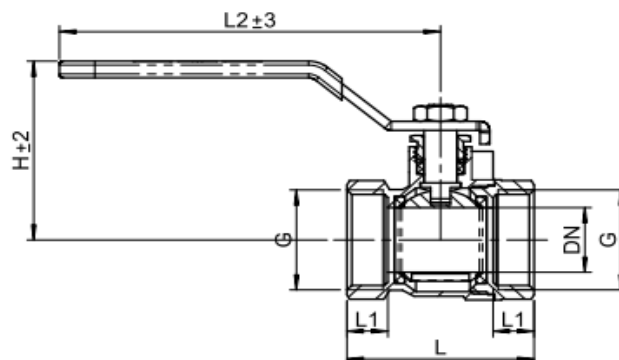
Suitable for cool and hot water and air

COMPONENTS DESCRIPTION



Item	Description	Material	Surface
1	Nut	Steel	Nickel plated
2	Handel	Steel	Chromed plated
3	Stem nut	Brass	Nickel plated
4	Stem packing	PTFE	---
5	Body	Brass	Nickel plated
6	Ball	Brass	Chromed plated
7	Ball seats	PTFE	---
8	Cap	Brass	Nickel plated
9	Stem	Brass	Nickel plated

DIMENSIONS



SIZE	CODE	DN	PN	DIMENSIONS (mm)					Weight aprox.(grs)	Pcs / Sm box	Pcs / Big box
				Φ int	L	L1	L2	H			
1/2"	VS055003	15	25	15	46	10.0	90	50	160	10	100
3/4"	VS055004	20	25	17	51	11.0	100	54	220	10	80
1"	VS055005	25	25	22	58	12.5	110	58	330	8	64
1 1/4"	VS055006	32	25	29	72	14.0	140	77	507	8	32
1 1/2"	VS055007	40	25	35	81	15.0	140	82	677	6	24
2"	VS055008	50	25	44	96	17.0	165	86	1112	3	12
2 1/2"	VS05500A	65	25	57	124	23.0	236	108	2210	2	4
3"	VS05500B	80	25	68	144	25.0	236	116	3100	2	4
4"	VS05500C	100	25	85	166	25.0	236	128	5316	1	2